

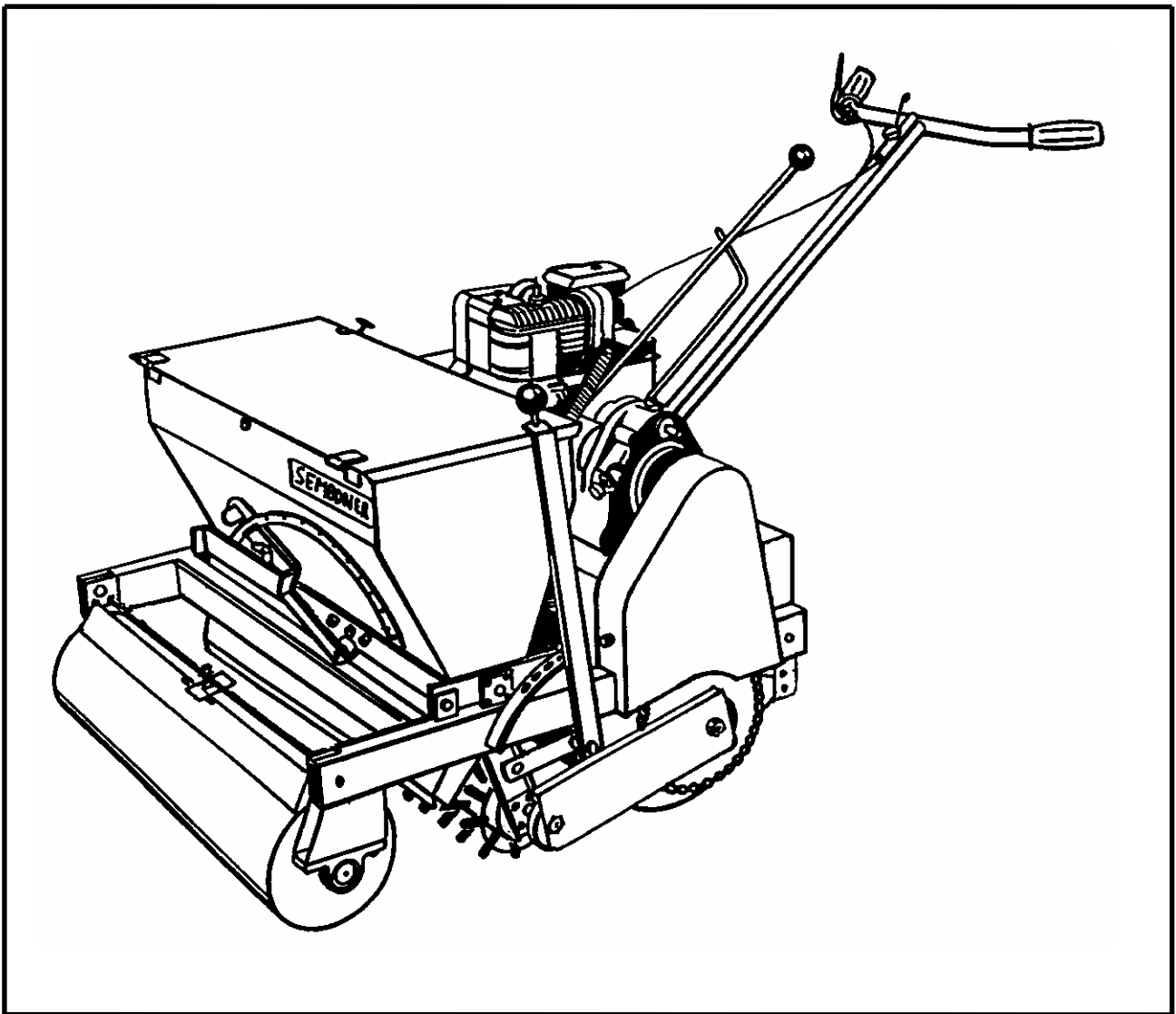
Operating Instructions

Sembdner Landscaping Machines

RS 60 N

RS 80 N

RS 100 N



Preface

Thank you for purchasing a SEMBDNER landscaping machine and for the trust you have thereby shown in our product.

This user's manual is to be regarded as a part of the machine itself and must accompany the machine upon any resale.

Contents	Page
1 Technical Information	3
1.1 Machine specifications	3
1.2 Identification plate	3
1.3 Intended use	3
2 Safety information	4
2.1 Warning notices	4
2.2 General safety data	4
2.3 User selection and qualification	4
2.4 Safety information when operating	5
2.5 Safety information when servicing	5
2.6 Safety instructions for operators	5
2.7 Machine dimensions and symbols	6
3 General	7
3.1 Limitation of liability	7
3.2 Warranty	7
3.3 Testing standards	7
3.4 Accident prevention regulations	7
4 Transport/Initial Startup	8
4.1 Packing	8
4.2 Scope of delivery	8
4.3 Loading	8
4.4 Measures prior to initial start-up	8
5 Operation	9
5.1 Engine	9
5.2 Reversing gear	10
5.3 Chain drive	10
5.4 Safety circuit	11
5.5 Landscaping machine operation	12
6 Servicing/Maintenance	14
6.1 Maintenance information	14
6.2 Troubleshooting	14
6.3 Replacement parts	14
6.4 Customer service	14
6.5 Customer service addresses	14
7 Accessories	15
8 Declaration of Conformity	16

1 Technical Information

1.1 Machine specifications

Technical specifications	RS 60 N	RS 80 N	RS 100 N
Working width	60 cm	80 cm	100 cm
Total width	80 cm	100 cm	120 cm
Weight	190 kg	260 kg	310 kg
Seed bin capacity	approx. 54 l	approx. 70 l	approx. 90 l
4-stroke engine	5 PS/3.7 kW	5 PS/3.7 kW	5 PS/3.7 kW
Forward/backward drive (reversing gear)	+	+	+
Area capacity per hour	approx. 1800 m ²	approx. 2500 m ²	approx. 3200 m ²
Seed dibbler quick adjustment	+	+	+
Height-adjustable handlebar	+	+	+
Maintenance-free bearings	+	+	+
Differential transmission (two-part pressure roller) for easy steering and turning	-	+	+

1.2 Identification plate

Sembdner			
Maschinenbau GmbH			CE
D - 82110 Germering			
Model	<input type="text"/>	No.	<input type="text"/>
Wt.	<input type="text"/>	Mot/kW	<input type="text"/>

1.3 Intended use

Your new landscaping machine is designed exclusively for the seeding of lawn surfaces (intended use). Any use apart from seeding lawns cannot be considered as intended.

The manufacturer is not responsible for any damages resulting from use other than intended; the user bears all such risk to a sole and exclusive extent. Complying with the intended use also includes heeding the operation, maintenance and servicing conditions stipulated by the manufacturer.

This landscaping machine may only be used, serviced and/or repaired by persons familiar with the machine and aware of its inherent dangers.

Adherence must be paid to the relevant accident prevention regulations as well as all other generally-recognized technical and occupational safety regulations and traffic-related codes.

Unauthorized arbitrary changes performed on a machine absolve the manufacturer from any liability attributable to damages resulting from such modifications.

2 Safety Information

2.1 Warning notices

Before using for the first time, read through the user manual and heed all safety instructions!

Caution sign



This symbol is found throughout this manual and alerts you to a potentially hazardous condition.

2.2 General safety data

Observe all generally-recognized safety regulations and accident prevention measures apart from those indicated in this manual. Provide any other user of this machine with all safety instructions.

Minors under the age of 18 years old may not operate this landscaping machine.

Users are required to familiarize themselves with all mechanisms and control elements and their functions before beginning operation. By the time the machine is in operation, it will be too late.

Before moving with the machine: check your immediate vicinity (children!); ensure your range of vision is sufficient.

Do not leave the engine running in closed spaces: exhaust gases may be highly toxic!

The driver should wear tight-fitting clothing. Avoid loosely-fitting clothing.

Caution is required when handling fuel - increased fire risk.

Never refuel in the proximity of open flames or ignitable sparks.

Do not refuel the tank with the engine running.

Gasoline spilled on a hot engine increases the risk of fire or explosion; let engine cool down first.

Do not smoke while refueling.

2.3 User selection and qualification

Only responsible and capable personnel are to operate the landscaping machine. Heed legally permissible minimum age. The owner is responsible for all necessary training of the skilled and/or instructed personnel selected.

It is recommended that the owner be fully convinced of the level of knowledge the persons the owner authorizes to operate the machine hold prior to any use of the machine with respect to the following items:

- knowledge of the contents of this manual
- knowledge of all safety and operational procedures contained herein
- knowledge of all applicable accident prevention regulations

Allow only trained or instructed persons to use this machine. Clearly specify personnel responsibilities regarding operation, maintenance and repair.

2.4 Safety information when operating

Strict compliance is to be paid to all references provided regarding operational safety as well as all items of general safety and accident prevention to be implemented or observed prior to, during and following operation.

Non-compliance may result in accidents and thus physical injuries.

Maintain a safe distance when in reverse in enclosed spaces or near stationary objects.

Safety devices may not be disconnected or modified contrary to their intended purpose.

This landscaping machine is only to be operated when all protective and safety-related devices, including detachable protective equipment and emergency stop mechanisms, are functional.

Retrofittings and modifications to this machine are prohibited.

The operator must ensure the proper, reliable and safe operation of this landscaping machine prior to each use.

Do not leave the machine's operator station when working.

2.5 Safety information when servicing

The setting, maintenance and repair procedures specified in this manual are only to be performed by qualified personnel.

All adjustments, maintenance and repair procedures may only be performed when the engine has been turned off and the spark plug terminal disconnected.

Ensure safe and environmentally-sound disposal of service fluids and consumable supplies as well as replacement parts!

To avoid injury, use only reliable and suitable tools and materials during adjustments, servicing and repair work.

Reattach all safety devices to the machine once all work has been completed.

Regularly check all retaining devices (screws, etc.) for tightness; tighten as necessary.

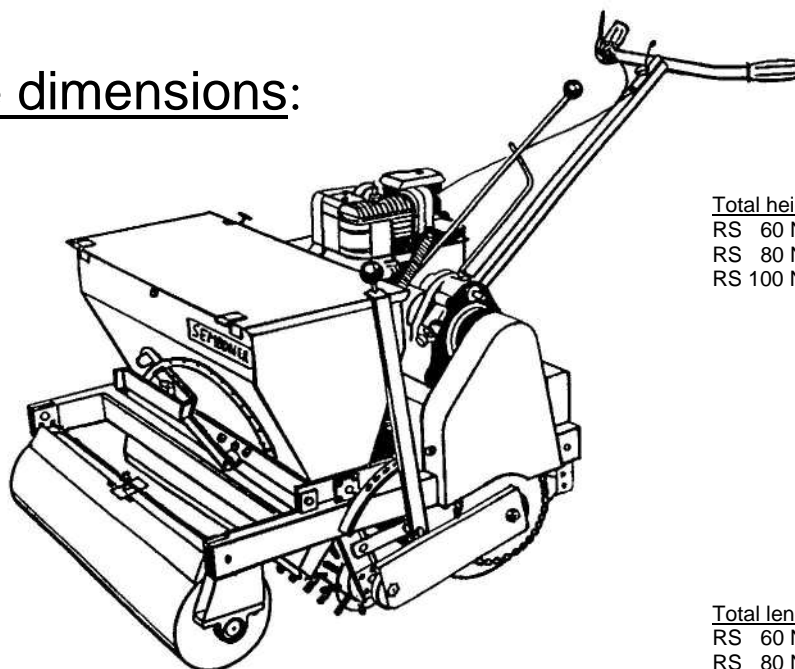
2.6 Safety instructions for operators

- wear tight-fitting clothing
- wear protective gloves
- wear ear protection

2.7 Machine dimensions and symbols

Machine dimensions:

Seed bin height:
 RS 60 N / 65 cm
 RS 80 N / 65 cm
 RS 100 N / 65 cm



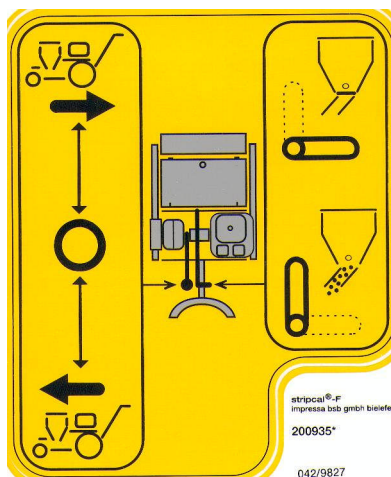
Total height:
 RS 60 N / 95 cm
 RS 80 N / 95 cm
 RS 100 N / 95 cm

Total width:
 RS 60 N / 80 cm
 RS 80 N / 100 cm
 RS 100 N / 120 cm

Total length:
 RS 60 N / 175 cm
 RS 80 N / 175 cm
 RS 100 N / 175 cm

Symbols:

Travel direction:
 reverse



Seed bin:
 closed

Travel direction:
 forward

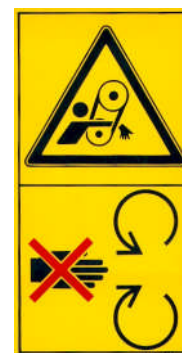
Seed bin:
 open



Do not open or remove protective devices when engine is running.



Wear ear protection



Never open or remove protective devices when engine is running.

3 General

3.1 Limitation of liability

All technical information, specifications and instructions contained in this manual for the operation and maintenance of the landscaping machine correspond to the latest technology and are provided to the best of our knowledge based on our past experience and scope of knowledge.

We reserve the right to make technical changes related to the ongoing development of the landscaping machine described in this manual. Thus, no claims are to be inferred from the information, illustrations and/or specifications provided in this manual.

We are not liable for any damage or malfunctioning resulting from operational error, non-compliance with this manual or from improper repairs.

The Sembdner Maschinenbau GmbH company is herewith absolved of liability for any and all damage resulting from the use of non-original replacement parts and/or accessories.

All translations provided are to the best of our knowledge. As such, we cannot be held liable for any errors in translation, even should we have provided or ordered such translation ourselves.

The German text is to prevail as the definitive text.

3.2 Warranty

Warranty claims are to be filed immediately after a determination of damage has been made; include all relevant purchasing data. All complaints must be confirmed by our office. Expendable parts are not covered under the warranty.

The warranty becomes void upon:

- improper operation
- use other than that as intended
- unauthorized equipment
- use of non-original replacement parts

3.3 Testing standards

The sound pressure level measured at the operator's ear must not exceed 85 dB(A).

Sound pressure measurement corresponds to the guidelines set forth by the *Bundesverbandes der landwirtschaftlichen Berufsgenossenschaft* {German Federal Agricultural Association} for manually-guided machines.

3.4 Accident prevention regulations

The accident prevention regulations of the *Gartenbau-Berufsgenossenschaft* {Horticulture Association} are to apply.

4 Transport/Initial Startup

4.1 Packing

The landscaping machine is braced to its transport pallet with tension straps and packed in sheathing cardboard and strapping.

4.2 Scope of delivery

Check for completeness of all parts and accessories upon taking delivery of your landscaping machine. All claims regarding parts which may have become damaged or lost during transport are to be filed with the shipping firm.

4.3 Loading

Hoisting elements in the form of two closed suspension grommets are provided on the machine frame for loading the landscaping machine.



Keep off floating load!

**When loading, only use hoisting equipment which corresponds to current safety standards.
When loading with planks, use only loading planks specifically suited thereto.**

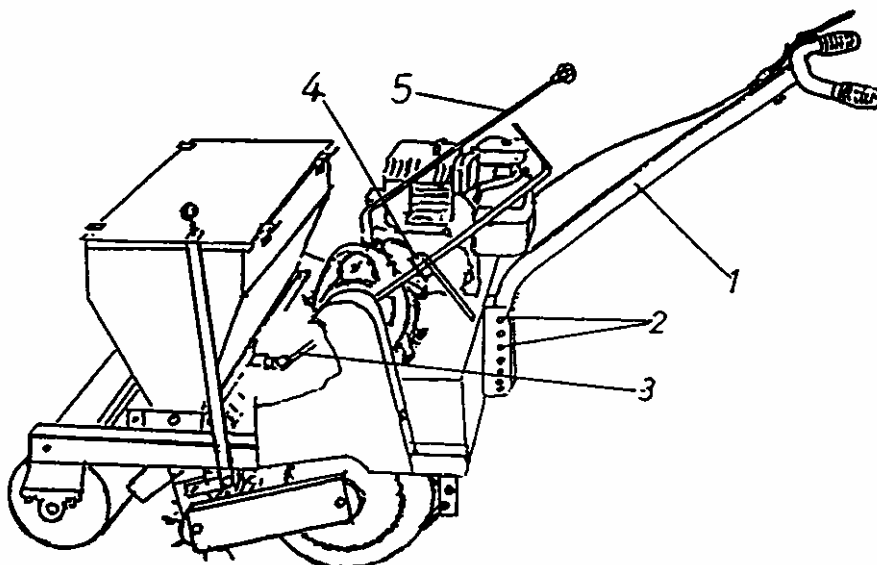
4.4 Measures prior to initial start-up

Instructions for assembling the control elements (removed for packing reasons):

Turn handlebar **1** 180° to the rear and adjust to desired height. Firmly tighten the 2 fixing screws **2**. Insert cut-off lever **3** for the seed discharge into the knuckle joint. Turn the fixing screw into the cut-off lever bore and tighten.

Affix adjustment ring **4** behind the lever mounting and tighten. Position gearshift lever **5** so it points rearward to the control shaft, ensuring when doing so that the fixing screw is seated in the bore, then tighten.

Mount the tensioning spring for the control lever release on the lever.



5 Operation

5.1 Engine

The engine is an air-cooled four-stroke engine which runs on normal unleaded gasoline.



**Do not leave the engine running in a closed space:
exhaust gases may be highly toxic!!**

Startup:

Before starting the engine, ensure the F/R travel direction lever is in neutral/idle position. Set throttle on the handlebar to **max**.

Choke control: Shift the lever on the engine into the Choke or Start position.

Gently pull on the starter grip until you feel a slight resistance, then firmly pull all the way. Don't let the starter handle snap back against the engine. Carefully ease the handle back in order to avoid damaging the starter.

While the engine is warming up, gradually push the choke lever into the open/run position. A warm engine requires less choke control than a cold engine.

Oil warning system:

The oil warning system serves to help you avoid damaging the engine. Should there be an insufficient volume of engine oil in the crankcase, the oil warning system will switch the engine off automatically. In the event the engine stops and will not restart at all, it is advisable to check the oil level before any further troubleshooting.



Do not perform any maintenance while the engine is running.
In order to avoid unintentional starts: disconnect spark plug terminal.

Air filter:

Never run the engine without the air filter since this leads to accelerated engine wear. Examine the air filter elements to ensure they are clean and in good condition. Clean the primary filter as required, replace paper filter cartridge when heavy accumulations of dirt have built up.

Oil change:

First oil change after 5 hours, then after each 50 hours of operation or on a seasonal basis. Use SAE 30 motor oil for engine and transmission. Major maintenance and repairs should only be performed by specialist repair shops.

The engine is from another manufacturer.
For exact information about its operation and maintenance,
refer to the engine manufacturer's operating instructions as enclosed!

5.2 Reversing gear

Your new landscaping machine has a reversing gear to provide both forward and reverse motion. The toothed wheel-planetary gear is equipped with two brake bands to enable forward or reverse travel upon operation of gearshift lever **1**.

To change travel direction, shift into the O-position and wait until the machine has come to a full stop before shifting the machine into the opposite direction. This will considerably extend the life of the brake bands!

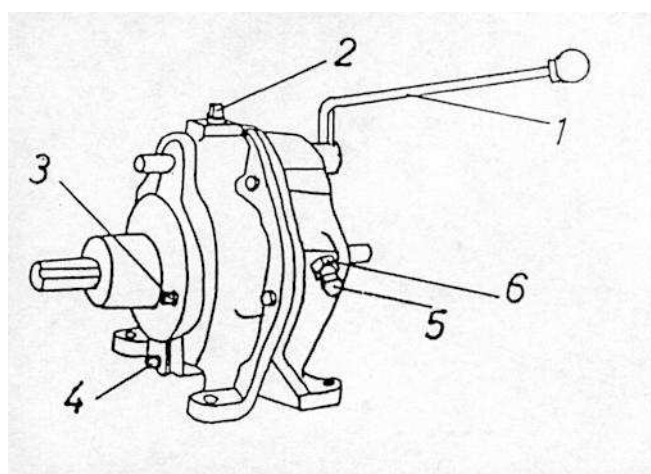
Adjusting: The screws **5** marked in yellow, extending diagonally upward on the reversing gear serve for adjusting the brake bands should the machine no longer accelerate properly.

The adjusting screw to the rear (in the travel direction of the landscaping machine) is for the forward gear; the screw in front is for adjusting the reverse gear.

After loosening locknuts **6**, adjust only so far that a slight end pressure is noticeable on the gearshift lever when shifting.

Forward and reverse gear are to be adjusted individually.

Do not forget to tighten locknuts **6** after making adjustments!



1 gearshift lever

2 oil filler plug

3 oil level plug

4 oil drain plug

5 set screw for adjusting brake bands

6 locknut

Reversing gear oil change: First oil change after 30 hours of operation, then after each 100 hours.

Loosen oil drain plug **4**, drain oil into a suitable container and dispose of properly.

Retighten the drain plug, refill with new SAE 30 motor oil up to oil level control screw **3**.

Check oil level monthly and replenish as necessary.

5.3 Chain drive

After the first few hours of operation, chain tension will have slackened somewhat and the drive chain will need to be re-tightened.



Never retighten the drive chain without first disengaging

the drive and waiting for the engine to stop.

Remove the track guard, loosen the tensioning idler, and adjust to the correct chain tension. Be sure to reattach the protective covering after adjusting the chain!

5.4 Safety circuit

This landscaping machine is equipped with a safety circuit.

A measure of doubled safety is attained by a solenoid switch on the reversing gear and a dead man's handle on the handlebar.

The engine cannot be started unless the travel direction shift lever is in the O-position.

Before operating the "forward – reverse" gearshift lever, the dead man's handle must be pulled to the handlebar, otherwise the machine's safety circuit will turn the engine off.

The dead man's handle must remain **pulled** during all travel, otherwise the engine will shut off immediately.

The dead man's handle serves as an **emergency shut-off switch**; in a dangerous situation calling for an immediate stop, simply release.



Caution: The engine will still be running due to momentum lag!

Maintain a safe distance when in reverse in enclosed spaces or near stationary objects.

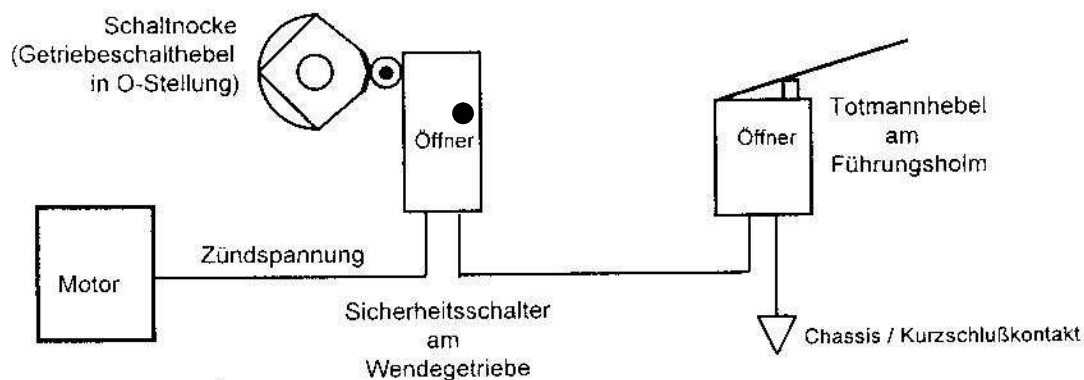


Do not tie down the safety switch lever (dead man's handle)!

Check the functioning of the safety switch/dead man's handle prior to each **use**.

Modifications to the safety circuit/dead man's handle are strictly forbidden.

Schaltplan Sicherheitsschaltung



Checking the safety circuit

When the dead man's handle is released, the safety circuit must prevent the engine from both directions of travel prior to the gearshift lever being engaged.

Upon safety circuit malfunction, check the setting of the safety switch/trip cam on the reversing gear unit as well as the cable and the cable connections.

Safety switch/trip cam settings

For the basic setting, secure the trip cam to the shaft of the reversing gear unit such that the cam's flat surfaces are parallel (vertically) to the safety switch in forward/reverse gear. The safety switch sprocket should now be abutting the surfaces.

For further fine-tuning, the trip cam can be rotated on the shaft or the safety switch clearance to the trip cam can be adjusted.

The trip cam should only press on the switch when the gearshift lever is in the O-position (see schematic diagram).

5.5 Landscaping machine operation

Pre-rolling:

Pre-rolling breaks up larger clods of earth so that seeds will not be buried too deeply nor be covered by excessive soil.

Sowing:

The sowing mechanism features a shaft of wear-resistant Perlon brushes which prove to be very effective against small foreign objects and tend not to jam as is the case with more rigid equipment. Precise seed allocation is provided on a large scale.

The seeds held within the seed bin are ejected from the brush shaft through an adjustable perforated plate once the locking cap has been opened, thereby falling through the seed deflector (simultaneously a windscreen plate).

Raking the seed into the soil:

Our patented power-driven seed dibbler with cleaning cage also works in pebbly, clumpy or damp soil without fail.

Behind the seed discharge, the dibbler lodges the seeds into the soil. The dibbler is driven in such a way that each individual spike will make a raking movement approximately 3 cm long (roll delay).

This works more seed into the ground than if the dibbler were simply to roll along atop the soil.

Finish-rolling:

Finish-rolling compresses the surface of the soil and the seed evenly, allowing the seed to germinate faster. Advantages of finish-rolling include how it allows for easy steering and turning of the machine without displacing soil and how it cannot become clogged by stones or clumps of earth. Detrimental soil compaction is a thing of the past with the light weight of the SEMBDNER RS.

Operating the landscaping machine:

The angled control lever for the seed discharge is located within reach of the operator station.

Open = vertical / Closed = to the right.

To seed, open the control lever for the seed discharge and immediately bring the gearshift lever into forward drive; the dead man's handle on the handlebar must now be pulled to avoid the engine switching off.

When turning or going in reverse, close the seed discharge.

If seeding is paused within an area to be sown, run the machine approximately 15 cm backward before continuing work so that there will be no unseeded strips.

Care must be taken that sowing follows in a precise lane-to-lane orientation to avoid both double-sowing of lanes as well as omitting any spots.

In order to preclude any such errors when using very high-grade lawn seeding, sowing can also transpire crosswise with half the amount of seed. This function largely compensates for any seeding errors due to imprecise driving.



When turning the machine or running in reverse in tight spaces

or near stationary objects: Always ensure you maintain a safe distance!

Turning the machine is a function of just the large pressure roller when you press downward on the handlebar; reduce driving speed at the same time with the throttle.

Adjusting the dibbler: the infeed depth of the dibbler can be adjusted and/or switched off completely by means of the control handle on the left side of the machine, doing so allows the machine to be used as just a roller.

When sowing, dibbler infeed depth should be no greater than 2 cm. If necessary, the control lever can be lifted out of the fixed aligning bore, resulting in a "floating" dibbler (in free suspension).

Disengage the dibbler when not in actual use to prevent the dibbler spikes from becoming damaged.

Filling the seed:

Before filling the seed into the sowing machine, the lawn mixture must be fully remixed since it may have become separated or unsettled during its transport!

Setting the seed quantity:

The seed quantity per m² is set with the adjustable lever on the large dial at the front of the seed bin. The dial's numbers do not refer to grams, but are only reference points. At "0," seed discharge is blocked completely.

Determining the seed quantity per m²:

There are two options; the seed catcher bin (mounted over the pre-roller with two hinged flaps) must first be pushed onto the seed deflector in both.

- | | |
|-------------------|--|
| (1) Model RS 60 N | measure a distance of 16.5 m and then set off. |
| Model RS 80 N | measure a distance of 12.5 m and then set off. |
| Model RS 100 N | measure a distance of 10.0 m and then set off. |

In each case, this will result in a seed quantity for 10 m² in the seed catcher bin; the desired value is determined and set by appropriately adjusting the seed dial.

- (2) The seed bin has a V-belt pulley and a clutch which must be disengaged for the following. Pull out the drive pin and give a quarter-turn to prevent reengagement. At the opposite side of the machine, after opening the seed discharge, use the crank (found in the toolbox) on the agitator shaft to make even rotations as follows:

Model RS 60 N	15½ rotations
Model RS 80 N	11½ rotations
Model RS 100 N	9 rotations

In each case, this will result in a seed quantity for 10 m² in the seed catcher bin; the desired value is determined and set by appropriately adjusting the seed dial.
Do not forget to reengage the clutch.

NOTES

.....

.....

.....

.....

.....

.....

.....

6 Servicing/Maintenance

6.1 Maintenance information



All maintenance, servicing and modifications are only to be performed

when the engine is off and the spark plug terminal disconnected!

Check engine oil level before each start-up. In addition, observe all maintenance and servicing instructions in the enclosed manual from the engine manufacturer.

Reversing gear unit - Check oil level more frequently; adhere to the maintenance schedule and settings as specified in Sec. 5.2.

The functioning of the safety circuit/dead man's handle must be checked before each start-up of the landscaping machine (see the description given in Sec. 5.4).

Check the functioning of the sowing mechanism with the seed discharge lever.

When the seed discharge lever is sluggish, loosen the four fixing screws on the seed box frame and remove the seed box from the machine frame. Extract the locking plate of the seed volume regulator and clean the guide with a wire brush.



After any maintenance, servicing or modification work:

reaffix all chain and belt guard covers

and check the functioning of the safety switch!

All ball bearings are sealed with lifetime-lubricant and thus maintenance-free!

6.2 Troubleshooting

Machine malfunctions which require any greater degree of effort should always be performed by specialist repair shops. Improper repairs can cause greater damage.

The engine does not turn over with the reverse starter:

Is there fuel in the tank?

Is there sufficient oil in the engine? (warning light for oil deficiency-cutoff blinks)

Has the stop control been switched to the ON position?

Check spark plug for ignition spark.

Check the safety circuit setting for a break in the gate trigger current (see the description in Sec. 5.4).

Should the engine still not start, please visit an authorized engine repair shop!

The reversing gear governs the machine's forward and reverse movement. Should you experience notably sluggish machine acceleration in one of these directions of travel, adjust for brake band wear on the setting screws as described in Sec. 5.2.

6.3 Replacement parts

Use only original replacement parts from the SEMBDNER company, otherwise you will void your warranty. When ordering replacement parts, please provide your machine number as well as the technical data from the identification plate.

6.4 Customer service

Technical information can be requested from our own qualified personnel or our retailers, agricultural dealers and engine specialists. Our foreign customers can call on our authorized national representatives/workshops. If necessary, you can also contact our factory for fast and friendly assistance.

6.5 Customer service addresses

A list of customer service centers for the respective engine manufacturer for purposes of maintenance and repair work has been included along with this manual.

7 Accessories

Rollers:

Your landscaping machine comes with planed pressure rollers as standard equipment. As a special optional accessory for all our landscaping machines, delivery can also include lattice rollers as pre-rollers and/or pressure rollers instead of the planed rollers.

Tarpaulin cover:

Tarps made from high-quality weather-proof plastic tarpaulin for protecting your landscaping machine.

Seed dibbler for golf course greens:

Models RS 60 N, RS 80 N and RS 100 N can be equipped with special seed dibblers for seeding golf course greens. These golf dibblers have considerably more spikes and are ideally-suited for working the lawn seed into the substrate areas of the greens. Exchanging dibbler rollers is a quick and virtually effortless process.

Studding equipment:

Our studding device takes the form of a perforated roller in place of the front roller and is an economical auxiliary unit for our RS 60 N and RS 80 N models when reseeding lawns in need of restoration. The uniform punched pattern of approximately 1200 cuts/m² produces excellent results when reseeding.

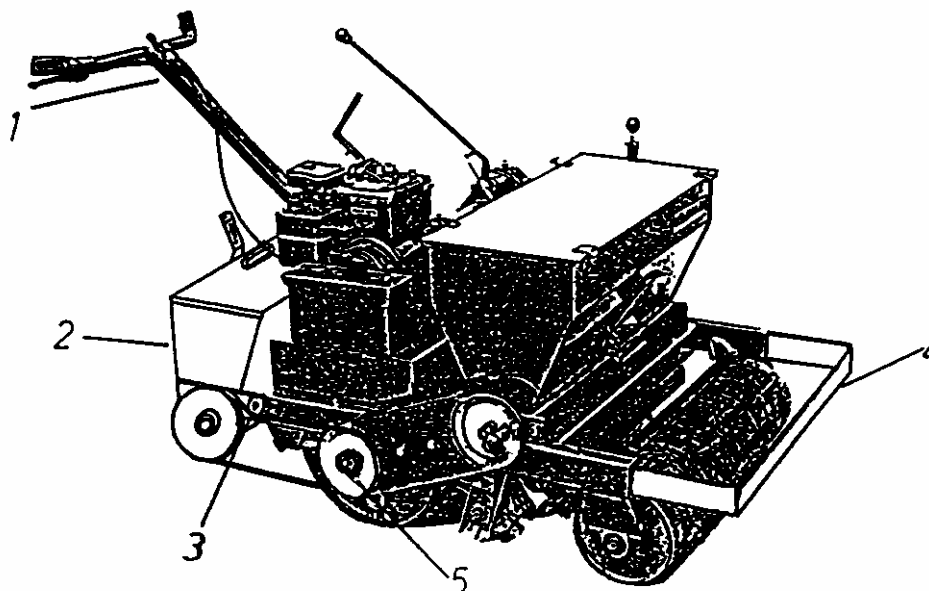
Fertilizer spreader:

A fertilizer spreader is available as an accessory for all three working widths of the landscaping machine. Mounting is an uncomplicated and virtually effortless process.

The fertilizer spreader frame is fit into the machine frame profile tubing openings and affixed with two screws. After mounting the V-belt drive pulley on the pressure roller, the V-belt is tensioned with a tensioning idler. Afterwards, mount the belt guard cover! To provide balance, a counterweight frame is inserted into the front profile tubing openings of the machine frame and fastened with two screws.

A counterweight corresponding to each respective machine model is part of each delivery.

Mounting the fertilizer spreader on the RS 60 N / RS 80 N / RS 100 N



1. Secure machine handlebar in the mounting's second hole from the top.
2. Insert fertilizer spreader into the profile tubing openings and tighten.
3. Screw belt tightener onto the fertilizer spreader mounting and tension the belt.
4. Insert counterweight frame into the profile tubing openings and tighten.
5. Slide the V-belt pulley over the hub of the agitator drive pulley and tighten.

8 Declaration of Conformity

Declaration of Conformity

in compliance with the EC guidelines

**Sembdner Maschinenbau GmbH
Sembdner Strasse 1
82110 Germering**

herewith declares that the products:

**Landscaping Machine Model RS 60 N
Landscaping Machine Model RS 80 N
Landscaping Machine Model RS 100 N**

to which this declaration relates,
are in conformity with the relevant safety and health
provisions stipulated by EC Directive 98 / 37 / EC.

Germering, Dec. 7, 2001



**Olaf Stauß
General Manager**

Schaltplan Sicherheitsschaltung

Schaltnocke
(Getriebeschalthebel in O-Stellung)

Öffner

Totmannhebel am Führungsholm

Motor

Zündspannung

Sicherheitsschalter am Wendegetriebe

Chassis / Kurzschlußkontakt

Safety circuit wiring diagram

Trip cam
(gearshift lever in O-position)

Break contact element

Dead man's handle on handlebar

Engine

Ignition voltage

Safety switch on reversing gear

Short-circuit contact